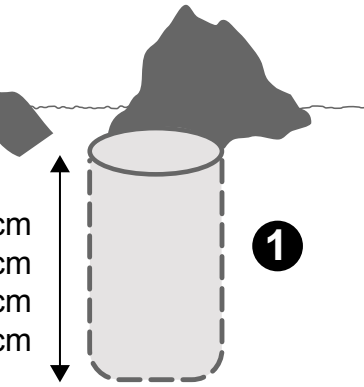
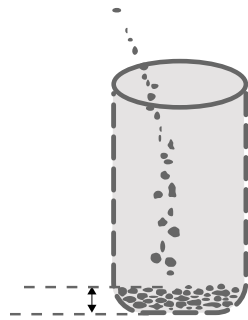


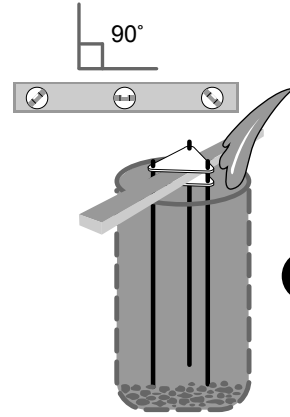
12 m = 120 cm
10 m = 100 cm
9 m = 90 cm
6-8 m = 80 cm



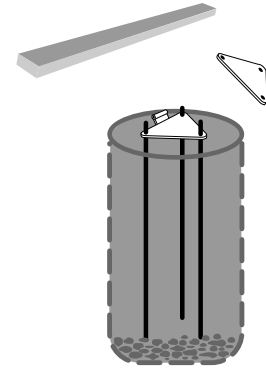
12-10 m = Ø 40 cm
6-9 m = Ø 30 cm



Fill the base with
5 cm of gravel

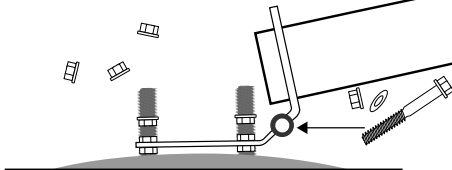


Place the mount on a board
2 cm above the edge of the
hole. Fill with concrete.

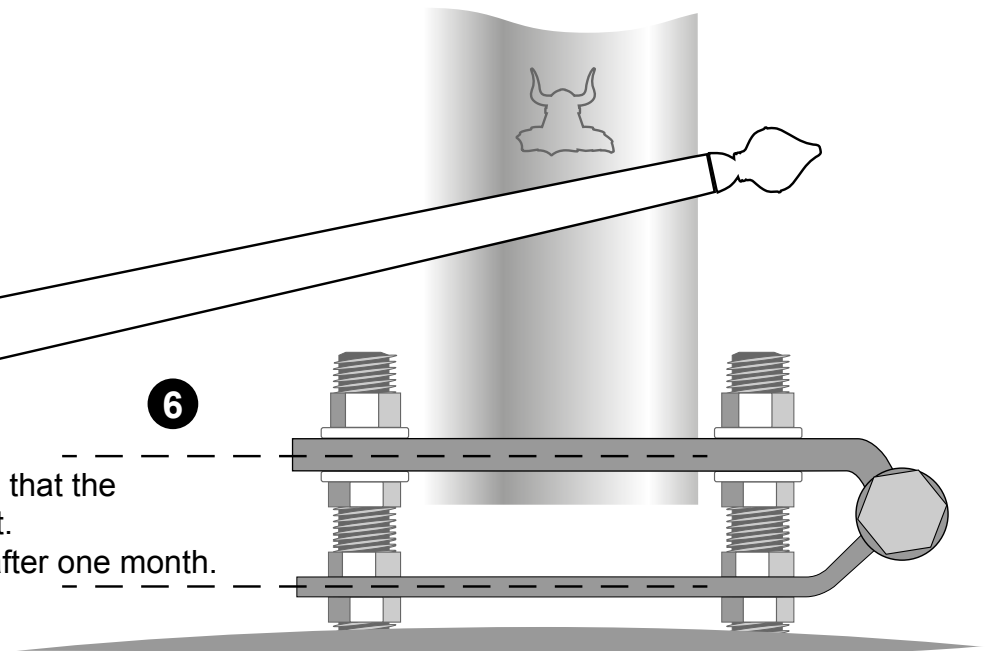


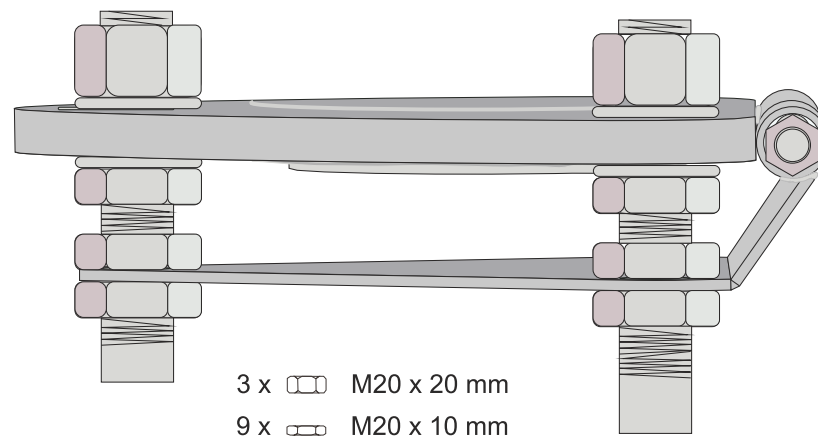
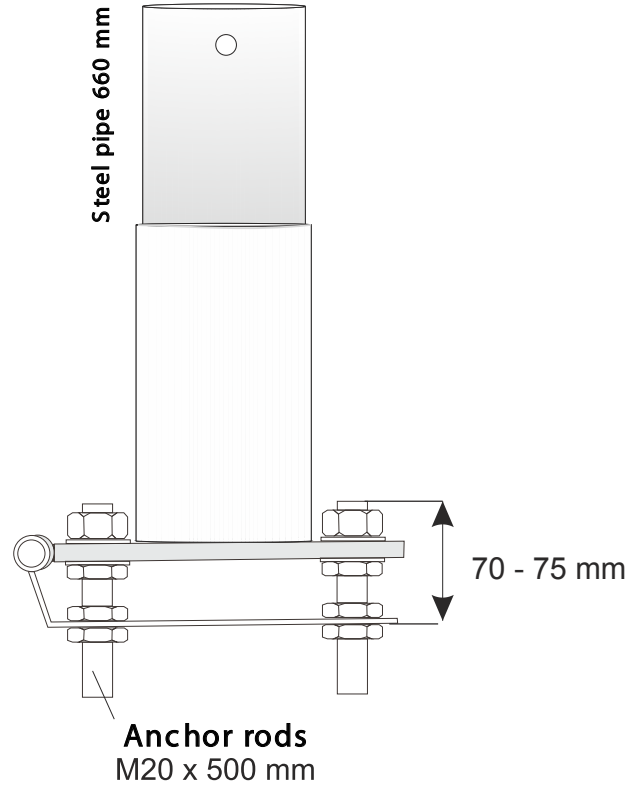
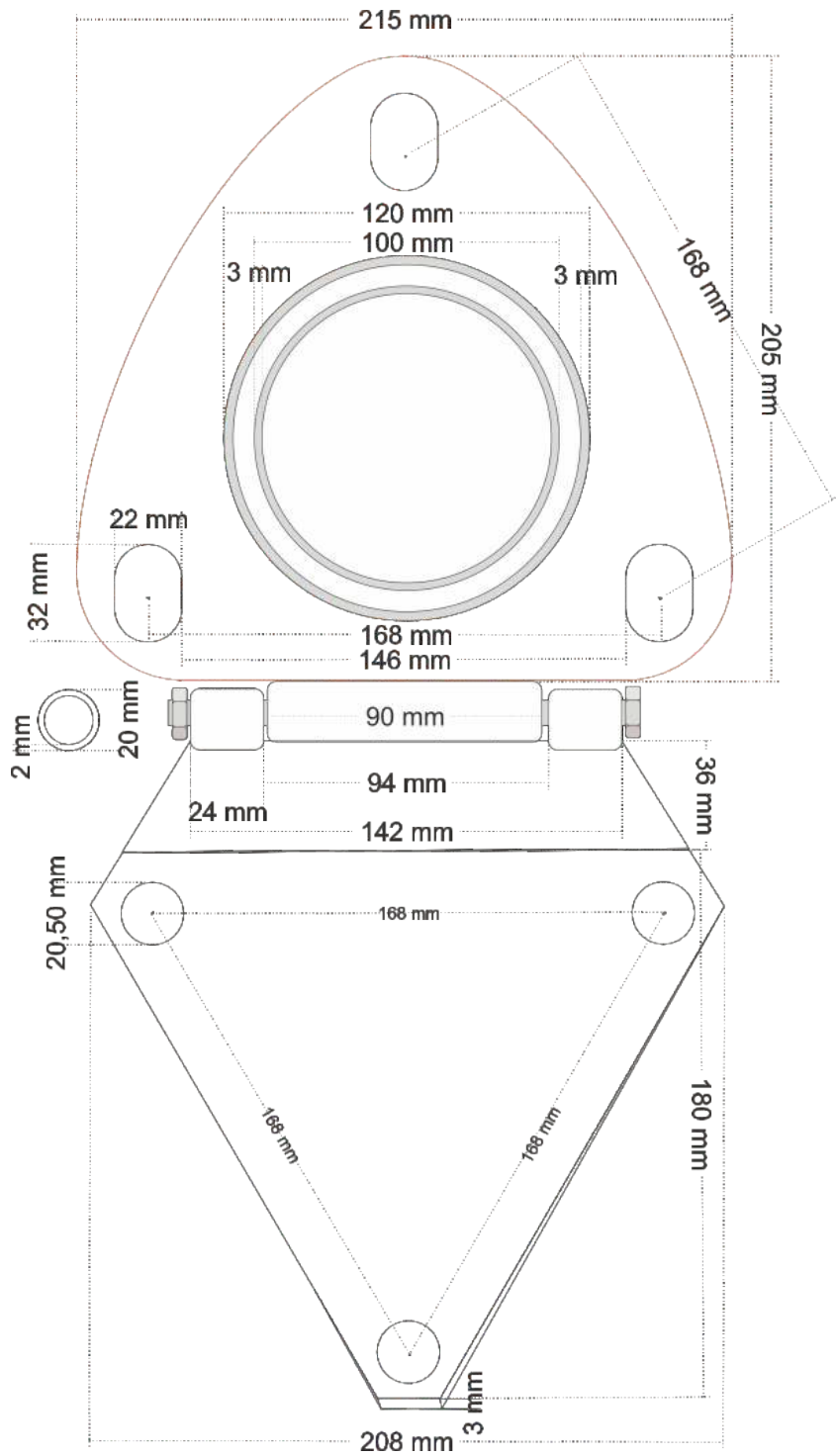
Let the concrete dry,
then remove the board.





Attach the rod to the
hingeplate, raise the flagpole
and tighten the nuts.



Adjust the nuts so that the
flagpole is straight.
Tighten the nuts after one month.





- 3 x  M20 x 20 mm
- 9 x  M20 x 10 mm
- 6 x  M21 x 3,0 mm
- 3 x  M20 x 500 mm

